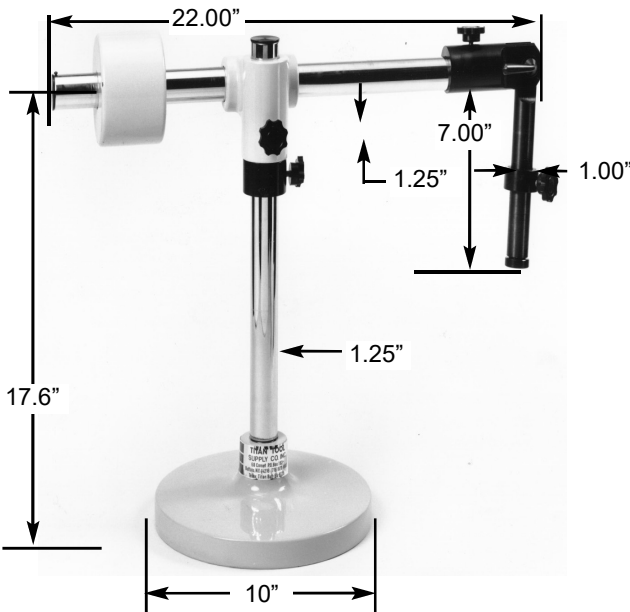


TSZM-6 Stereo Zoom Microscope

The TITAN STEREO ZOOM MICROSCOPE TSZM-6 is the only Stereo Zoom Microscope that offers the user a complete magnification range of 7X to 160X as initially purchased without any extras. It features a .7X to 4X Zoom Range and 5.7 Zoom Ratio with crisp clear images over the entire Zoom Range. It has 45° inclined Binocular Optical Tubes that can be rotated for 55 mm to 85 mm interpupillary adjustment. The Microscope body can be rotated a full 360° in its collar holder and locked in any position. The Diopter adjustment is ±5 diopters for both eyepieces. The Working Distances is 96.52 mm without auxiliary lenses. The Zoom is controlled by a graduated knurled ring located on the Microscope body. Working Distances and Fields of View may be increased or decreased by the purchase of extra Optional Screw on Objectives. The TSZM-6 is adaptable to video by purchasing the TSTVA12-TSZM Video adapter, which is inserted into one of the eyepieces while you view with the other. This video adapter has a reticle which can be used for alignment or measuring when calibrated. A 3" add-on extension that is for the vertical post is included at no extra charge for the standard stand.



The TSZM-6 comes complete with both 10X and 20X eyepieces and a supplemental 2X objective.



Ordering Information

Model Number	Description
TSZM-6	Stereo Zoom Microscope
SZMOBJ-0.3X	0.3X Auxillary Objective Lens
SZMOBJ-0.5X	0.5X Auxillary Objective Lens
SZMOBJ-1.5X	1.5X Auxillary Objective Lens
SZMOBJ-2.0X	2.0X Auxillary Objective Lens
RI-TSZM	Ring Adapter for Ring Illuminators
UPS-TSZM	Universal Boom Stand
SZMEP-10X	Pair of 10X Eyepieces
SZMEP-15X	Pair of 15X Eyepieces
SZMEP-20X	Pair of 20X Eyepieces
TSTVA-12TSZM	"C" Mount Video Adapter

AUXILIARY OBJECTIVES	WORKING DISTANCE		10X EYEPIECES				15X EYEPIECES				20X EYEPIECES							
	M.M.	Inches	Depth of Field	RES*	MAG	FIELD OF VIEW		Depth of Field	RES*	MAG	FIELD OF VIEW		Depth of Field	RES*	MAG	FIELD OF VIEW		
ZOOM BODY WITHOUT OBJECTIVES	96.52	3.80"	1.10"	36	7X	27.43	1.08"	.800"	64	10.5X	18.80	.740"	.620"	71.8	14X	16.26	.640"	
.3X Obj.	259	10.21"	to	to	to	to	to	to	to	to	to	to	to	to	to	to	to	to
			.086"	181	40X	4.83	.190"	.040"	228	60X	3.32	.130"	.020"	<400	80X	2.92	.115"	
.5X Obj.	160.02	6.3"	4.00"	3.56	2.1X	88.9	3.50"	2.156"	7.13	3.15X	51.56	2.03"	1.195"	10.1	4.2X	50.8	2.00"	
			.400"	14.3	12X	14.6	.575"	.165"	28.51	18X	9.01	.355"	.120"	32	24X	8.89	.350"	
1.5X Obj.	53.59	2.11"	3.88"	20.16	3.5X	55.37	2.18"	2.00"	28.5	5.25X	35.56	1.40"	1.81"	36	7X	31.75	1.25"	
			.375"	90.5	20X	9.4	.370"	.125"	114	30X	5.08	.250"	.100"	128	40X	5.33	.210"	
2X Obj.	30.23	1.19"	.684"	45.3	10.5X	17.78	.700"	.300"	90.5	15.8X	11.68	.460"	.270"	102	21X	10.67	.420"	
			.033"	228	60X	2.74	.108"	.030"	<400	90X	2.18	.086"	.015"	<400	120X	1.90	.075"	
			to	to	to	to	to	to	to	to	to	to	to	to	to	to	to	to
			.361"	64	14X	13.46	.530"	.110"	102	21X	9.22	.363"	.105"	114	28X	8.33	.328"	
			.016"	400+	80X	2.41	.095"	.003"	<400	120X	1.72	.068"	.002"	<400	160X	1.40	.055"	

* Resolution line pairs per millimeter.