

## FX-6 Stereo Microscope

The TITAN STEREO MICROSCOPE FX-6 has 45° inclined Binocular Optical Tubes that can be rotated for 55 mm to 85 mm interpupillary adjustment.

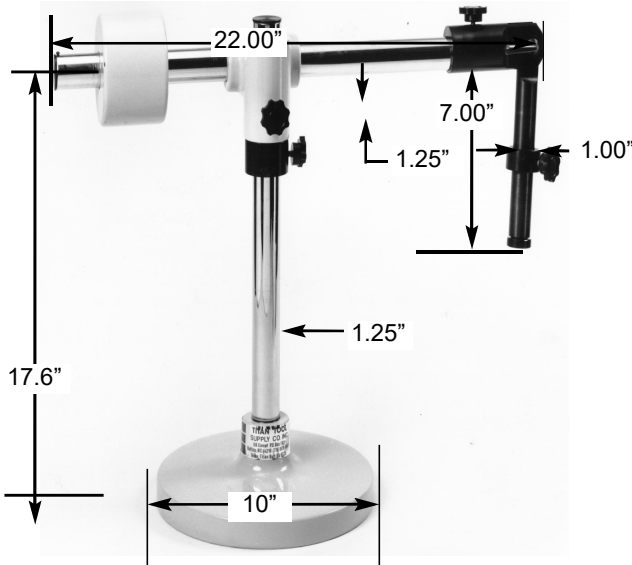
The Microscope body can be rotated a full 360° in its collar holder and locked in any position. The Diopter adjustment is ±5 diopter for both eyepieces. The Working Distances is 87mm or 3.45" without auxiliary lenses. Working Distances and Fields of View may be increased or decreased by the purchase of extra Optional Screw on Objectives.

The FX-6 is adaptable to video by purchasing the TSTVA12-TSZM Video adapter, which is inserted into one of the eyepieces while you view with the other. This video adapter has a reticle which can be used for alignment or measuring when calibrated.

The FX-6 is an ideal microscope for use as a shop scope, jewelers scope, micro-welding scope, electronics assembly & inspection scope. Made with all aluminum, steel and glass components to last many years at an affordable price.



The FX-6 comes complete with both 10X and 20X eyepieces.



### Ordering Information

Model Number	Description
FX-6	Stereo Microscope
SZMOBJ-0.3X	0.3X Auxiliary Objective Lens
SZMOBJ-0.5X	0.5X Auxiliary Objective Lens
SZMOBJ-1.5X	1.5X Auxiliary Objective Lens
SZMOBJ-2.0X	2.0X Auxiliary Objective Lens
RI-TSZM	Ring Adapter for Ring Illuminators
UPS-TSZM	Universal Boom Stand
SZMEP-10X	Pair of 10X Eyepieces
SZMEP-20X	Pair of 20X Eyepieces
TSTVA-12TSZM	"C" Mount Video Adapter

Objectives	Working Distance mm/inches	10X Eyepiece				20X Eyepiece			
		Mag.	Field of View	Depth of Field	Res.*	Mag.	Field of View	Depth of Field	Res.*
2X Built In	87mm/ 3.45"	20X	10mm/ .400"	2.5mm/ .100"	80.6	40X	5.7mm/ .224"	2mm/ .080"	128
.3X Optional	230mm/ 9.055"	6X	25mm/ 1.01"	13.5mm/ .530"	32	12X	15.5mm/ .610"	7.6mm/ .300"	45.3
.5X Optional	150mm/ 5.90"	10X	19mm/ .740"	8mm/ .330"	40.3	20X	10.8mm/ .425"	4.5mm/ .180"	57
1.5X Optional	48mm/ 1.87"	30X	6mm/ .240"	2.3mm/ .090"	90.5	60X	3mm/ .120"	1.5mm/ .060"	114
2X Optional	32mm/ 1.24"	40X	5mm/ .200"	1mm/ .040"	144	80X	2.8mm/ .110"	.6mm/ .025"	161

\* Resolution line pairs per millimeter.